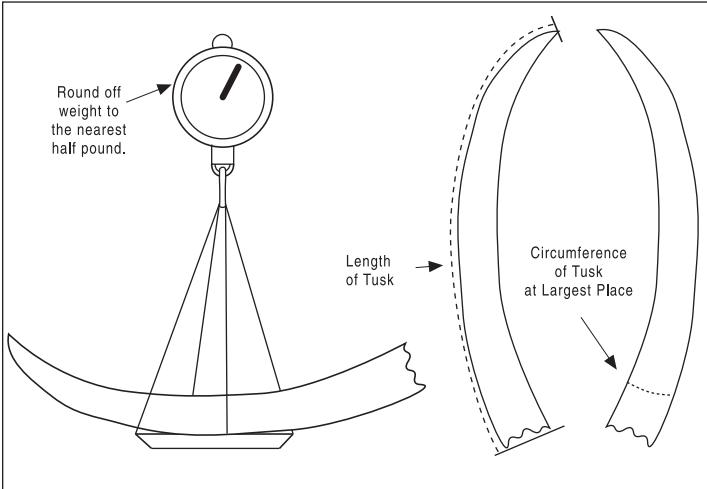


# Method 14 Entry Form

For elephant tusks



Hunter \_\_\_\_\_  
How you want your name to appear in the Record Book

Membership No. \_\_\_\_\_ e-mail \_\_\_\_\_

Address \_\_\_\_\_

City \_\_\_\_\_ State \_\_\_\_\_ Zip \_\_\_\_\_ Country \_\_\_\_\_

Ph. (\_\_\_\_) \_\_\_\_\_ Home (\_\_\_\_) \_\_\_\_\_ Business (\_\_\_\_) \_\_\_\_\_ Fax \_\_\_\_\_

I certify that, to the best of my knowledge, I took this animal without violating the wildlife laws or ethical hunting practices of the country or province in which I hunted. I also certify that, to the best of my knowledge, the laws of my country have not been violated by my taking or importing this animal.

Free-ranging  Yes  No

Signature \_\_\_\_\_

*The acceptance or denial of all entries are at the discretion of Safari Club International, its Board and committees. Entries are subject to review by the Trophy Records Committee of SCI at any time. All photos and entries submitted to SCI become SCI's property.*

**Submit to: Safari Club International  
4800 W. Gates Pass Rd., Tucson, AZ 85745 USA.**

- \$35 Record Book processing fee
- \$55 Medallion Award processing fee (Walnut plaque) includes shipping & handling
- \$80 Record Book & Medallion Award processing fee includes shipping & handling

**To enter Record Book and/or Medallion:**

- 1) Add the appropriate entry processing fees together as necessary. (Medallion fee includes shipping & handling.)
  - 2) All entries must be complete, signed by hunter and accompanied by fees and a photograph of the trophy.
  - 3) Please clearly label back of photo with name of hunter, name and score of animal, and date taken.
- Include 1 photo

Checks on U.S. banks only. Credit cards preferred. Entry fees are valid for 12 months from date of form located in lower right hand corner.

We Accept:  MC  Visa  AMX  Discover  Diners Club

Card Number \_\_\_\_\_

Expiration Date \_\_\_\_\_

Animal \_\_\_\_\_

Remeasurement?  Yes  No Former Score \_\_\_\_\_ Record No. \_\_\_\_\_

Date Taken \_\_\_\_\_  
Month \_\_\_\_\_ Day \_\_\_\_\_ Year \_\_\_\_\_

Rifle  Handgun  Muzzleloader  Bow  Crossbow  Picked Up

Place Taken \_\_\_\_\_  
Country \_\_\_\_\_ State or Province \_\_\_\_\_

Locality \_\_\_\_\_

Guide \_\_\_\_\_ Hunting Co. \_\_\_\_\_

I. Weight of Tusk L \_\_\_\_\_ /2 lb. R \_\_\_\_\_ /2 lb.

II. Total Score \_\_\_\_\_ /2 lb.

**Supplemental Information**

**Length of Tusk**

L \_\_\_\_\_ inches R \_\_\_\_\_ inches

**Circumference of Tusk at Largest Place**

L \_\_\_\_\_ inches R \_\_\_\_\_ inches

Official Measurer \_\_\_\_\_

Measurer No. \_\_\_\_\_ Email \_\_\_\_\_

Day Measured \_\_\_\_\_  
Month \_\_\_\_\_ Day \_\_\_\_\_ Year \_\_\_\_\_

Signature of Measurer \_\_\_\_\_

**For Office Use Only**

Date Received: \_\_\_\_\_